

SAN ACE MC

Liquid Cooling Solution System
"SAN ACE MC Liquid"

Preeminent cooling performance

General specifications

Life expectancy ······40,000 hours, indoor environment
 (survival rate: 90%, rated voltage, and continuously run)
 Motor protection system ····Current Cut System (with reverse polarity protection)
 Dielectric strength ······AC 50/60 Hz, 500VAV, 1 minute
 (between lead conductor and frame)
 Noise measurement method ····measurements at 1m from radiator Surface
 Operating thermal range ····0°C to +60°C (non-condensing)
 Fan Speed ············Temperature speed controlled
 Material ············Plastics: Fan frame, Fan impeller, Fan Grad, Pump casing
 Pump impeller, Tube, Gasket stand, Gasket
 Aluminum: Pump motor casing, Radiator
 Copper: Cold plate



Specifications

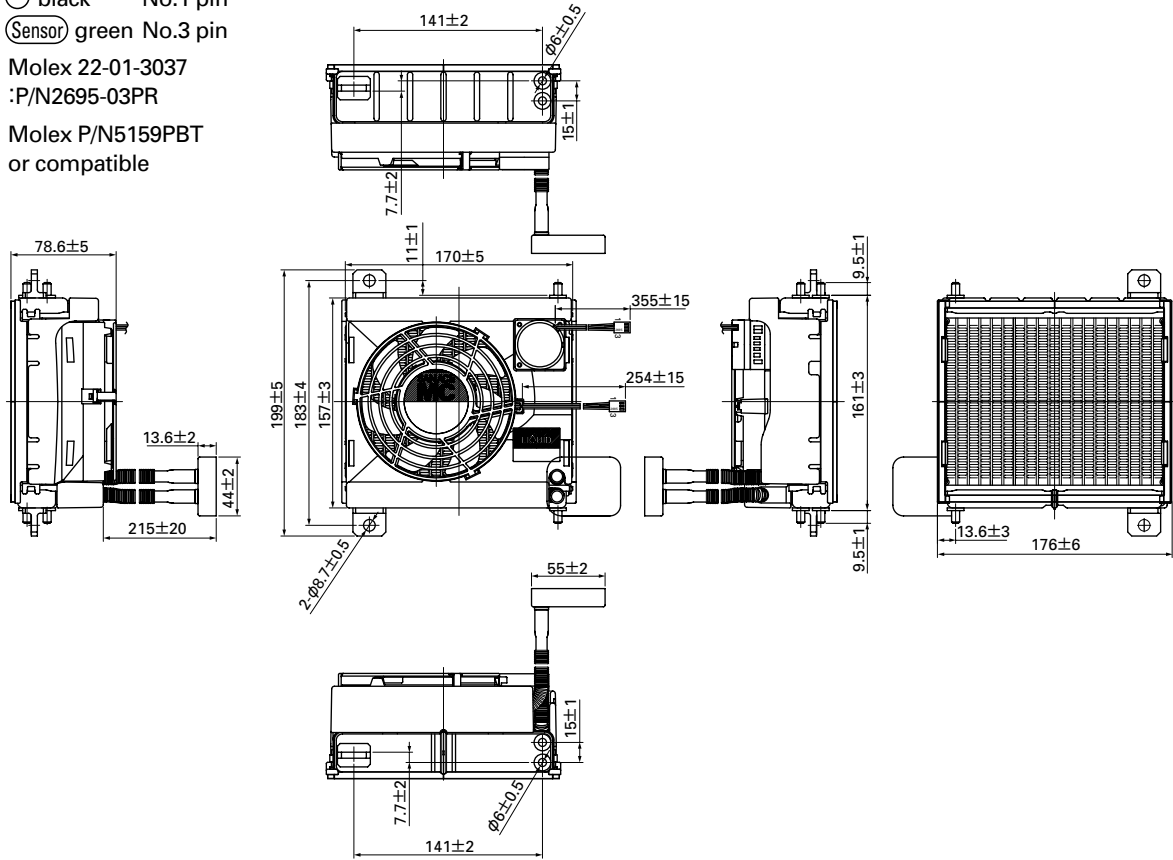
Model No.	Rated voltage (V)	Operating voltage range (V)		Rated current (A)		Rated rotating speed (min ⁻¹)		Thermal Resistance (K/W)	Noise (dB(A))	Mass (g)
		Fan	Pump	Fan	Pump	Fan	Pump			
109-LC1-001	12	7~12.6	7~12.6	0.25	0.12	2,400	2,000	0.22	42	1150
						1,300	2,000	0.255	28	

Dimensions (unit : mm)

Read Wire ⊕ yellow No.2 pin
 ⊖ black No.1 pin
 (Sensor) green No.3 pin

Connector Molex 22-01-3037
 :P/N2695-03PR

Contact Molex P/N5159PBT
 or compatible

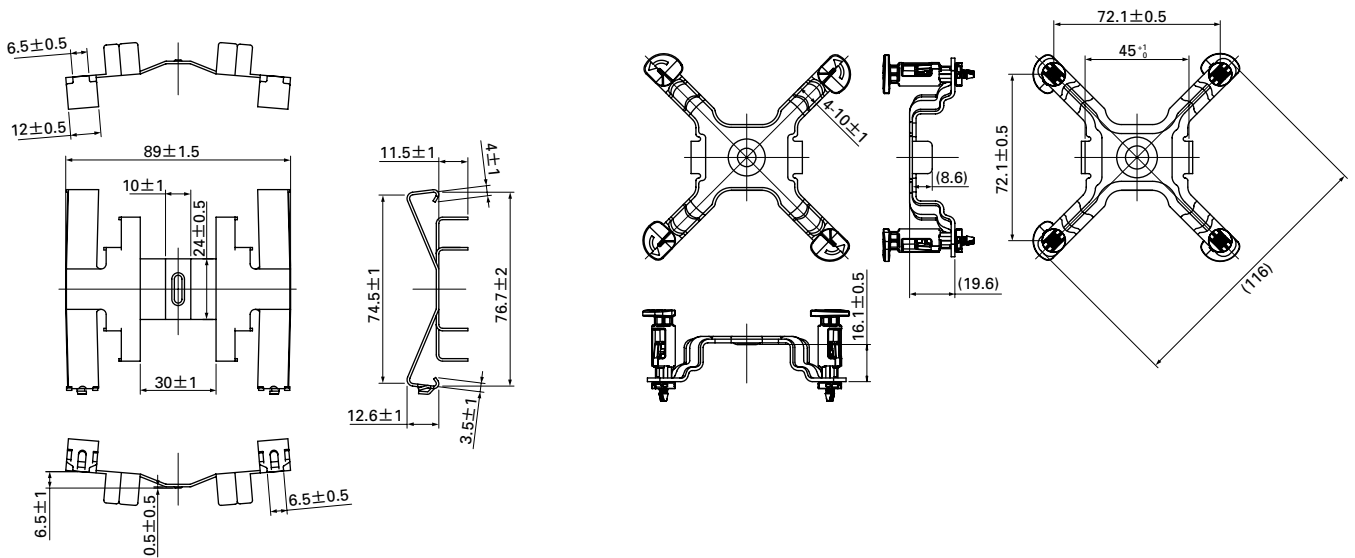


MPU Coolers

Mounting Clip (unit : mm)

Installation metal exclusive for Socket478
 Model No : 109-1017

Installation metal exclusive for 775-land LGA Package
 Model No : 109-1026



Notice Products listed on this catalog fall into the category of the cargoes specified in the Export Trade Control Ordinance (Attached Table1, Item 16). For the export of the above products, exporters are requested to implement export registration to the competent authorities, together with the study about "Information Requirements and Objective Requirements" under the Japanese equivalent of catchall controls

SANYO DENKI

1-15-1, Kita-otsuka, Toshima-ku, Tokyo 170-8451, Japan. PHONE : +81 3 3917 5151 Home Page: <http://www.sanyodenki.co.jp>

2004.10 Rev.B