

San Ace DC

DC Fan

36mm
San Ace 36



"San Ace 36" GV type

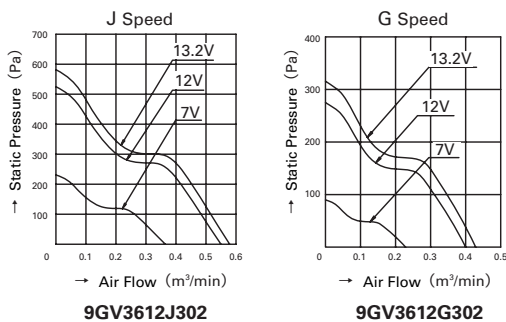
General Specifications

- Material Frame, Impeller:Plastics
- Life Expectancy Varies for each model (Survival rate: 90% at 60°C rated voltage, and continuously run in a free air state)
- Motor Protection System Current blocking function and Reverse polarity protection
- Dielectric Strength 50/60 Hz, 500VAC, 1 minute (between lead conductor and frame)
- Sound Pressure Level (SPL) ··· Expressed as the value at 1m from air inlet side
- Operating Temperature Range ··· Varies for each model (Non-condensing)
- Lead Wire ⊕red ⊖black
- Mass 46g

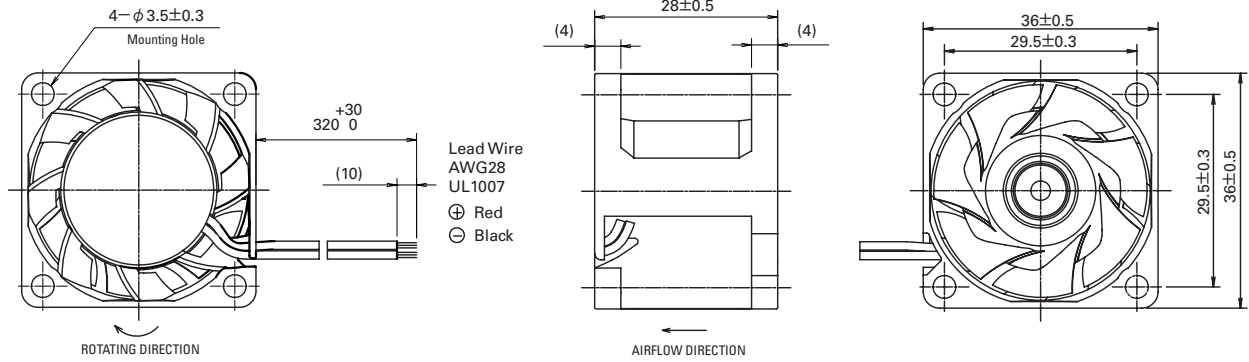
28mm thick Specifications

Model No.	Rated Voltage (V)	Operating Voltage Range (V)	Rated Current (A)	Rated Input (W)	Rated Speed (min ⁻¹)	Air Flow		Static Pressure		SPL (dB[A])	Operating Temperature Range (°C)	Life Expectancy (h)
						(m ³ /min)	(CFM)	(Pa)	(inchH ₂ O)			
9GV3612J302	12	7.0~13.2	0.75	9.0	19,000	0.55	19.4	525	2.11	58.5	-10 ~ +60	40,000
9GV3612G302			0.34	4.1	14,000	0.40	14.1	275	1.10			

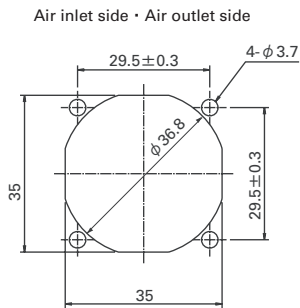
Air Flow and Static Pressure Characteristics



Dimensions (unit : mm)



Reference dimension of mounting holes and vent opening (unit : mm)



36mm

Notice

- The products shown in the catalog are subject to Japanese Export Control Law. Diversion contrary to the law of exporting country is prohibited.
- To protect against electrolytic corrosion that may occur in locations with strong electromagnetic noise, we provide fans that are unaffected by electrolytic corrosion. Alternative measures to protect against electrolytic corrosion may include metallic finger guards or other metallic attachments. Please contact us for details.

SANYO DENKI