

# San Ace 92 WF

## Oil Proof Fan

### Features

The product can be used in an oil mist environment (environment where cutting oil scatters in the form of a mist).

Oil resistant materials protect coils and electronic parts. Therefore, even in a severe environment with oil mist, the product maintains stable operation.



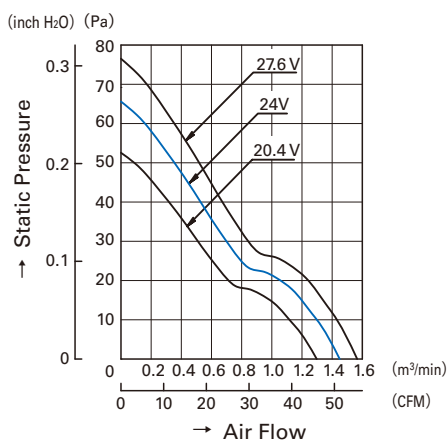
Oil Proof Fan 92mm

**92mm × 92mm × 25mm**

### Specifications

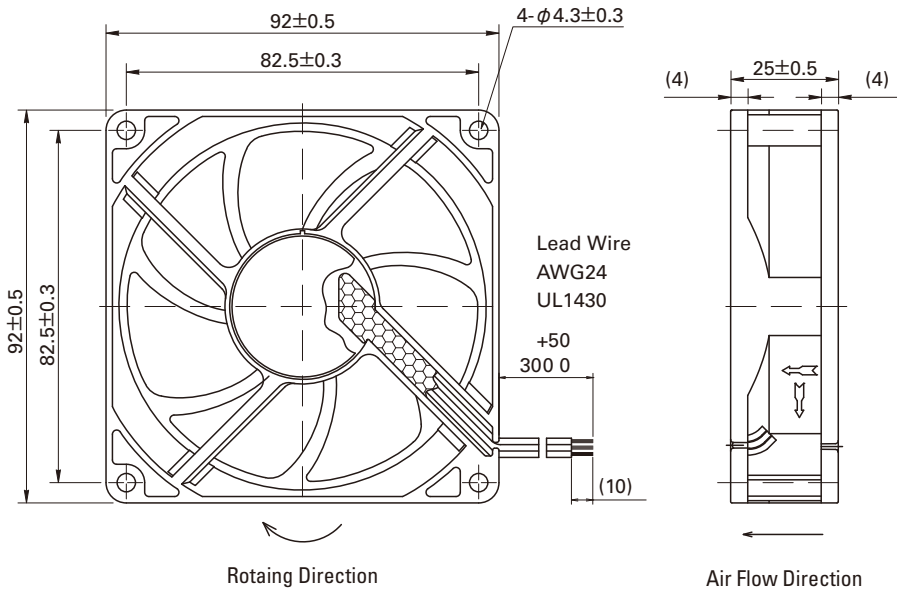
Model No	Rated Voltage [V]	Operating Voltage Range [V]	Rated Current [A]	Rated Input [W]	Rated Speed [min <sup>-1</sup> ]	Air Flow [m <sup>3</sup> /min] [CFM]	Static Pressure [Pa] [inchH <sub>2</sub> O]	SPL [dB(A)]	Operating Temperature Range [°C]	Life Expectancy [h]
9WF0924H401	24	20.4 to 27.6	0.13	3.12	3,900	1.45 51.2	66 0.26	42.5	-10 to +70	40,000

### Air Flow and Static Pressure Characteristics

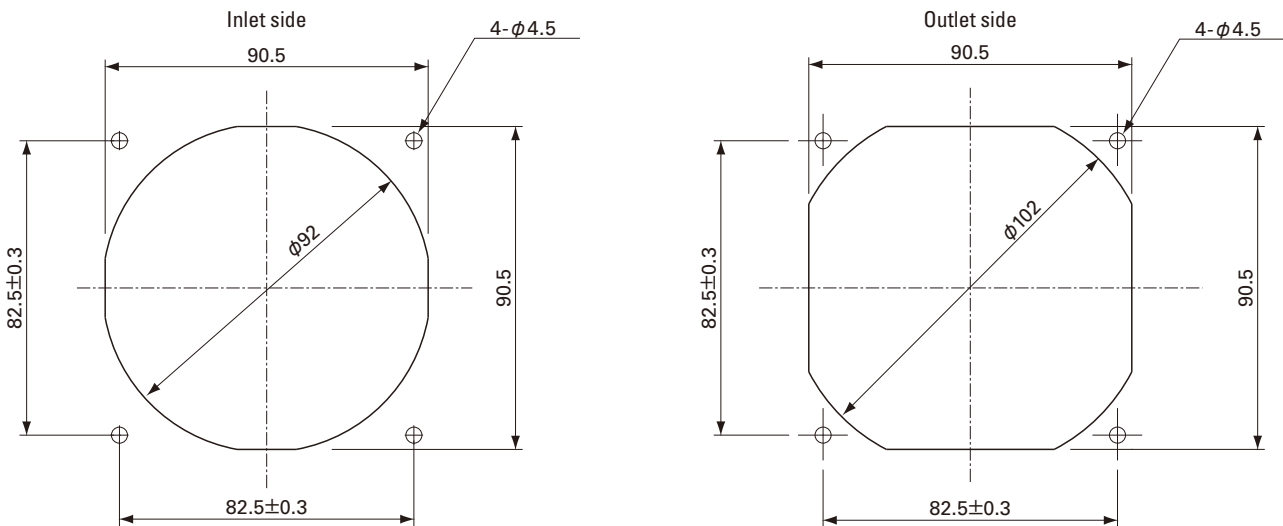


92mm

## Dimensions (unit : mm)



## Reference dimension of mounting holes and vent opening (unit : mm)



## Common Specifications

- Material ..... Frame, Impeller: Plastics (Flammability: UL94V-0)
- Life Expectancy ..... Varies for each model  
(L10: Survival rate: 90% at 60°C, rated voltage, and continuously run in a free air state)
- Motor Protection System ..... Current blocking function and Reverse polarity protection
- Dielectric Strength ..... 50/60 Hz, 500VAC, 1 minute (between lead conductor and frame)
- Sound Pressure Level (SPL) ..... Expressed as the value at 1m from air inlet side
- Operating Temperature ..... Varies for each model (Non-condensing)
- Storage Temperature ..... -30°C to +70°C (Non-Condensing)
- Lead Wire ..... ⊕red ⊖black Sensor: yellow
- Mass ..... Approx. 120 g

## Notice

- The products shown in the catalog are subject to Japanese Export Control Law. Diversion contrary to the law of exporting country is prohibited.
- To protect against electrolytic corrosion that may occur in locations with strong electromagnetic noise, we provide fans that are unaffected by electrolytic corrosion.