

San Ace 80 GV type DC Fan

Features

Large air flow

·Maximum airflow: increased by approx. 26% compared with our conventional products*.

* Our conventional product is the DC cooling fan : 80 mm square x 38 mm thick fan "San Ace 80" (9G0812K102)



80mm square × **38mm thick**

Specifications

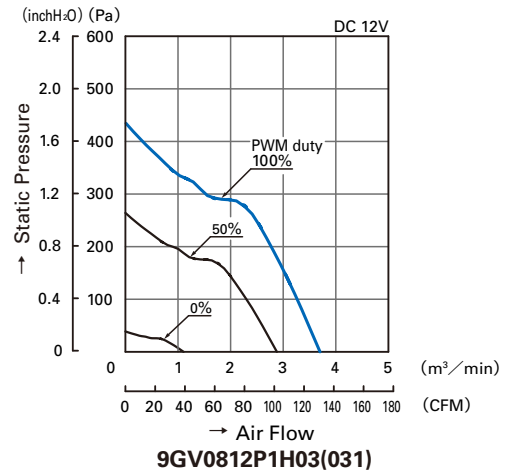
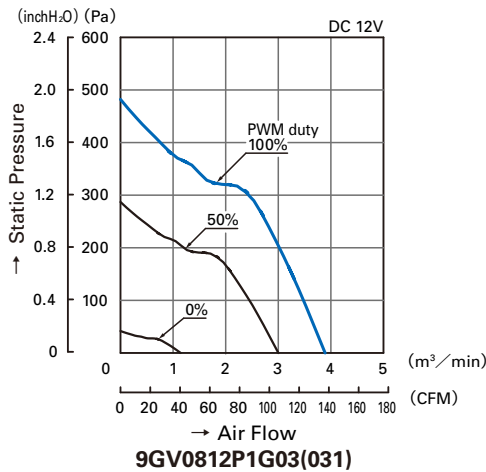
The numbers in () represent ribless models.

| Model No. | Rated Voltage (V) | Operating Voltage Range (V) | PWM duty cycle* (%) | Rated Current (A) | Rated Input (W) | Rated Speed (min ⁻¹) | Air Flow (m ³ /min) (CFM) | Static Pressure (Pa) (inchH ₂ O) | SPL (dB [A]) | Operating Temperature Range (°C) | Life Expectancy (h) |
|-------------------|-------------------|-----------------------------|---------------------|-------------------|-----------------|----------------------------------|--------------------------------------|---|--------------|----------------------------------|---------------------|
| 9GV0812P1G03(031) | 12 | 10.8 to 13.2 | 100 | 3.8 | 45.6 | 10,200 | 3.9 138 | 490 1.97 | 65 | -10 to +70 | 40,000 |
| | | | 0 | 0.32 | 3.84 | 3,000 | 1.15 40.6 | 42.4 0.17 | 34 | | |
| 9GV0812P1H03(031) | | | 100 | 3.0 | 36.0 | 9,700 | 3.7 131 | 440 1.77 | 63 | | |
| | | | 0 | 0.2 | 2.4 | 2,900 | 1.11 39.2 | 39 0.16 | 34 | | |

※PWM Frequency : 25kHz

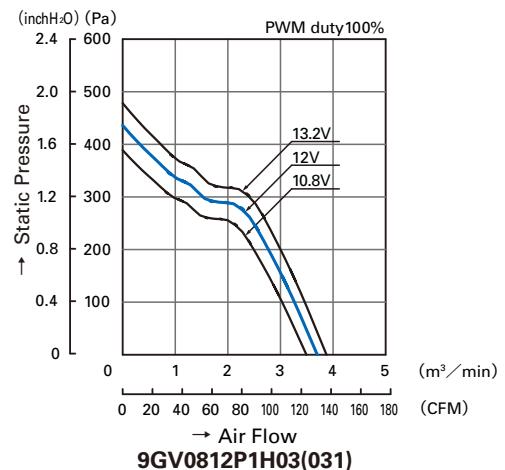
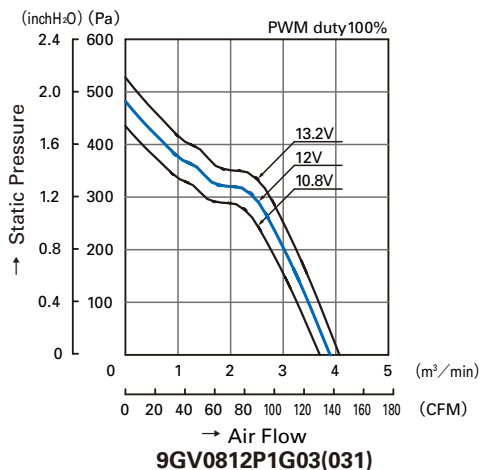
Air Flow and Static Pressure Characteristics

· PWM Duty Cycle

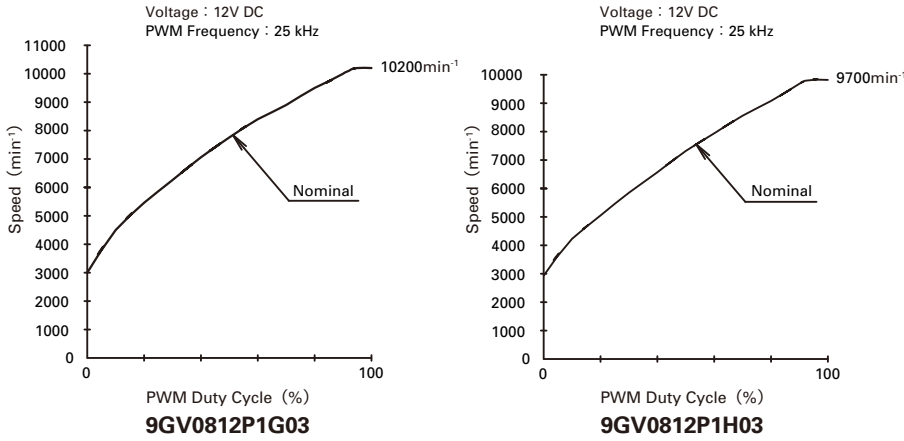


80mm

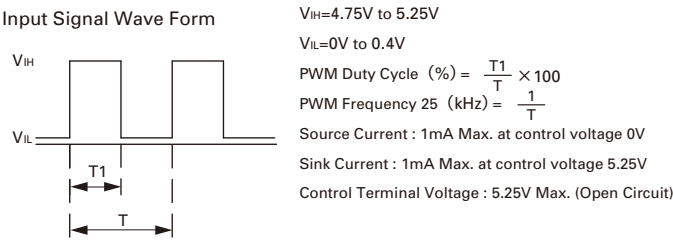
· Operating Voltage Range



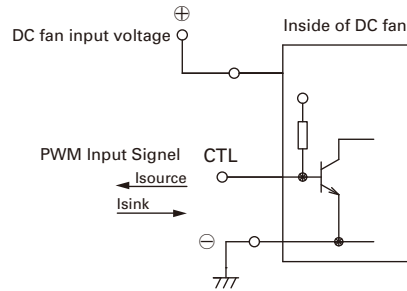
PWM Duty - Speed Characteristics Example



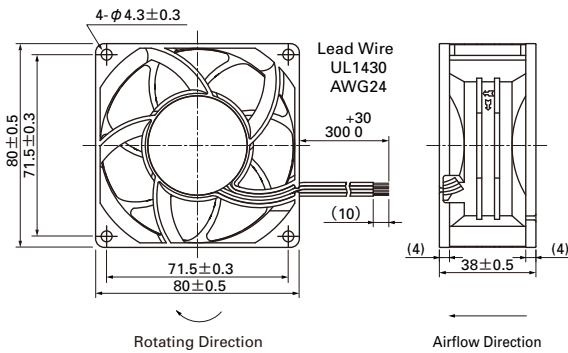
PWM Input Signal Example



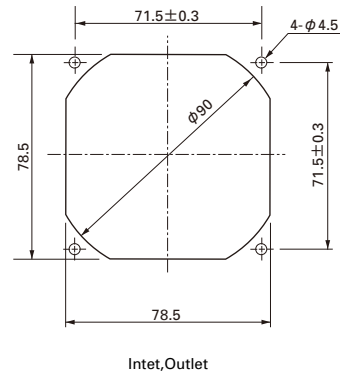
Connection Schematic



Dimensions (unit : mm)



Reference dimension of mounting holes and vent opening (unit : mm)



Common Specifications

- Material Frame: Plastics (Flammability: UL94V-0), Impeller: Plastics (Flammability: UL94V-1)
- Life Expectancy Varies for each model
 (L10: Survival rate: 90% at 60°C, rated voltage, and continuously run in a free air state)
- Motor Protection System Current blocking function and Reverse polarity protection
- Dielectric Strength 50/60 Hz, 500VAC, 1 minute (between lead conductor and frame)
- Sound Pressure Level (SPL) Expressed as the value at 1m from air inlet side
- Operating Temperature Range Varies for each model (Non-condensing)
- Lead Wire ⊕red ⊖black Sensor: yellow Control: brown
- Mass 220g

Notice

- The products shown in the catalog are subject to Japanese Export Control Law. Diversion contrary to the law of exporting country is prohibited.
- To protect against electrolytic corrosion that may occur in locations with strong electromagnetic noise, we provide fans that are unaffected by electrolytic corrosion.