

# San Ace 60 WF

## Oil Proof Fan

Oil Proof Fan 60mm

### Features

The product can be used in an oil mist environment (environment where cutting oil scatters in the form of a mist).

Oil resistant materials protect coils and electronic parts. Therefore, even in a severe environment with oil mist, the product maintains stable operation.



60×60×20mm

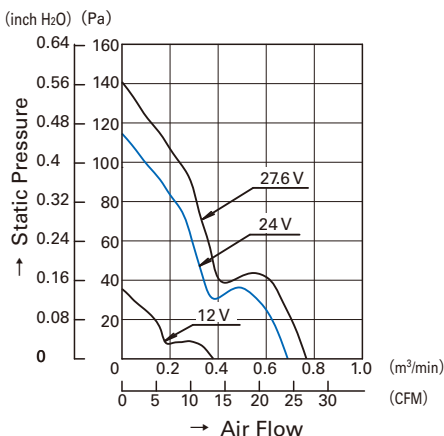
### Specifications

| Model No    | Rated Voltage [V] | Operating Voltage Range [V] | Rated Current [A] | Rated Input [W] | Rated Speed [min <sup>-1</sup> ] | Air Flow [m <sup>3</sup> /min] [CFM] | Static Pressure [Pa] [inchH <sub>2</sub> O] | SPL [dB(A)] | Operating Temperature Range [°C] | Life Expectancy [h] |
|-------------|-------------------|-----------------------------|-------------------|-----------------|----------------------------------|--------------------------------------|---|-------------|----------------------------------|---------------------|
| 9WF0624H601 | 24                | 12 to 27.6                  | 0.15              | 3.6             | 6,600                            | 0.69 24.3                            | 114 0.46                                    | 42          | -10 to +70                       | 40,000              |

### Common Specifications

- Material ..... Frame, Impeller: Plastics (Flammability: UL94V-0)
- Life Expectancy ..... Varies for each model  
(L10: Survival rate: 90% at 60°C, rated voltage, and continuously run in a free air state)
- Motor Protection System ..... Current blocking function and Reverse polarity protection
- Dielectric Strength ..... 50/60 Hz, 500VAC, 1 minute (between lead conductor and frame)
- Sound Pressure Level (SPL) ..... Expressed as the value at 1m from air inlet side
- Operating Temperature ..... Varies for each model (Non-condensing)
- Storage Temperature ..... -30°C to +70°C (Non-Condensing)
- Lead Wire ..... ⊕red ⊖black Sensor: yellow
- Mass ..... Approx. 80 g

### Air Flow - Static Pressure Characteristics

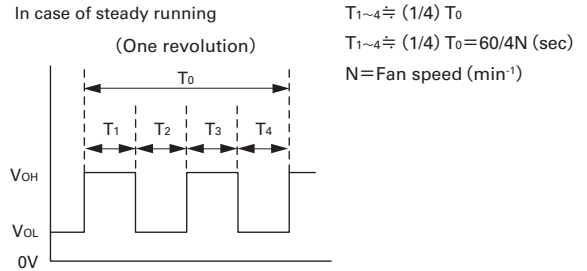
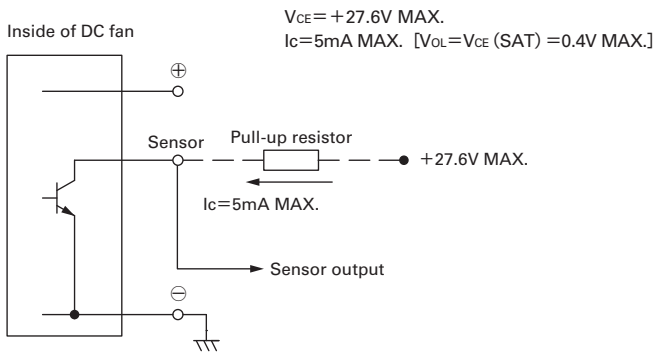


60mm

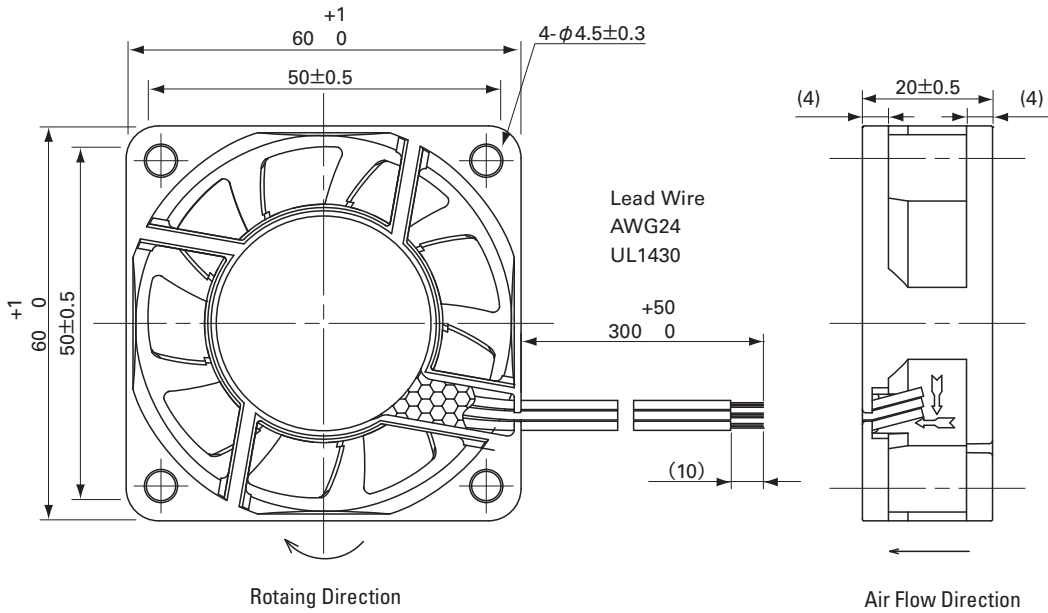
## Pulse Sensor Specification

Output circuit : Open collector

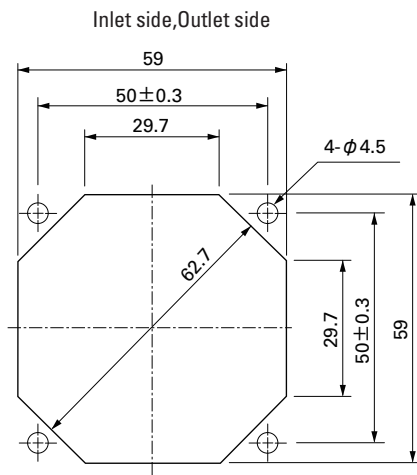
Output waveform (Need pull-up resistor)



## Dimensions (unit : mm)



## Reference dimension of mounting holes and vent opening (unit : mm)



### Notice

- The products shown in the catalog are subject to Japanese Export Control Law. Diversion contrary to the law of exporting country is prohibited.
- To protect against electrolytic corrosion that may occur in locations with strong electromagnetic noise, we provide fans that are unaffected by electrolytic corrosion.