

San Ace 40 GE type

Features

Low vibration

- Reduced vibration by about 50% compared with our conventional products.*
- By adopting an aluminum frame, these fans have achieved a large air flow volume while reducing vibration.

* Our conventional product is the DC cooling fan of the same size:
40 mm square x 28 mm thick fan (9GV0412J302)



40mm square x 28mm thick

Specifications

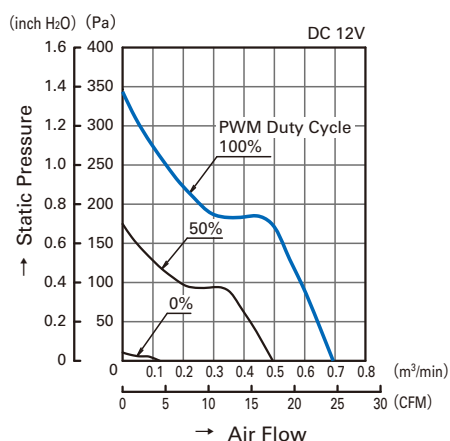
Model No.	Rated Voltage (V)	Operating Voltage Range (V)	PWM duty cycle* (%)	Rated Current (A)	Rated Input (W)	Rated Speed (min ⁻¹)	Air Flow (m ³ /min) (CFM)		Static Pressure (Pa) (inchH ₂ O)		Noise (dB[A])	Operating Temperature Range (°C)	Life Expectancy (h)
			100				0.69	24.4	343.0	1.378			
9GE0412P3J03	12	10.8~13.2	0	0.05	0.6	2,650	0.12	4.2	10.7	0.042	14	-10~+60	40,000
			100				0.69	24.4	343.0	1.378			

※PWM Frequency : 25kHz

40mm

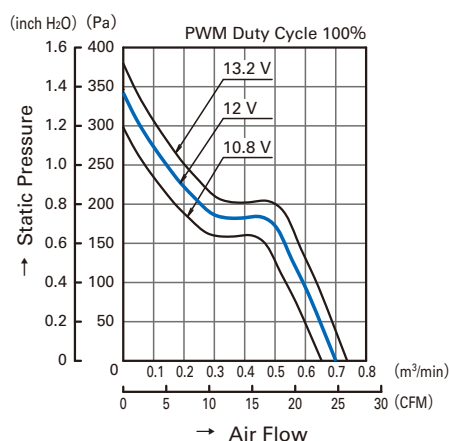
Air Flow and Static Pressure Characteristics

· PWM Duty Cycle



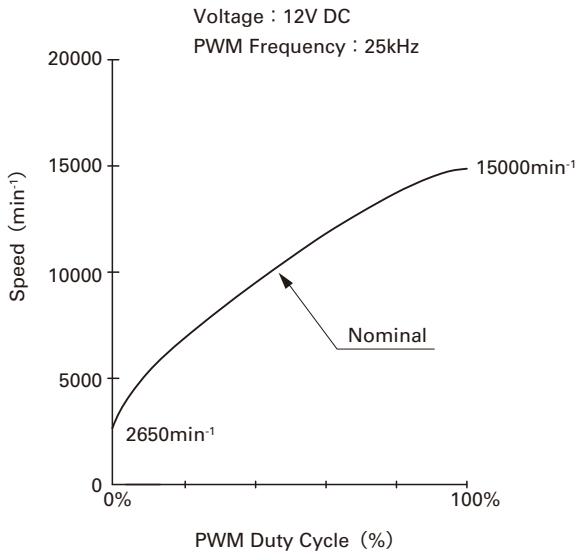
9GE0412P3J03

· Operating Voltage Range



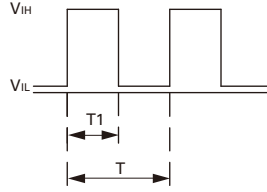
9GE0412P3J03

■ PWM Duty - Speed Characteristics Example



■ PWM Input Signal Example

Input Signal Wave Form



$V_H=2.8V$ to $3.8V$

$V_L=0V$ to $0.4V$

$$\text{PWM Duty Cycle (\%)} = \frac{T_1}{T} \times 100$$

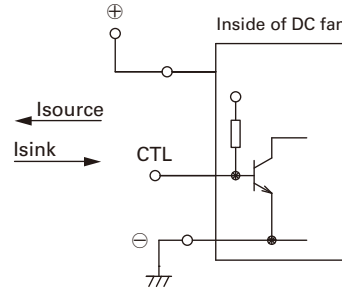
$$\text{PWM Frequency 25 (kHz)} = \frac{1}{T}$$

Source Current : 1mA Max. at control voltage 0V

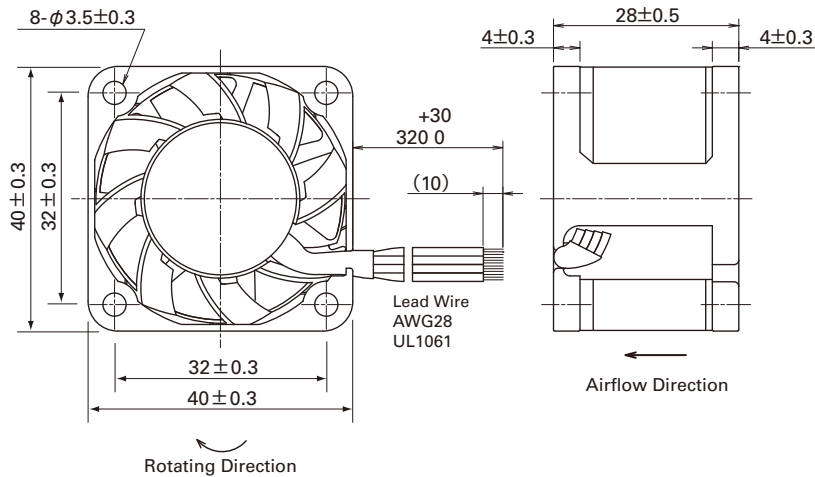
Sink Current : 1mA Max. at control voltage 3.8V

Control Terminal Voltage : 3.8V Max. (Open Circuit)

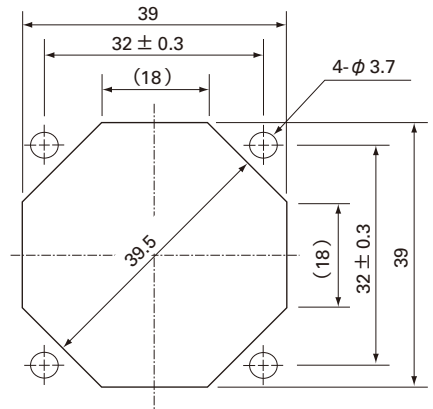
■ Application



■ Dimensions (unit : mm)



■ Reference dimension of mounting holes and vent opening (unit : mm)



■ Common Specifications

- Material Frame: Aluminum, Impeller: Plastics (Flammability: UL94V-0)
- Life Expectancy Varies for each model
(L10: Survival rate: 90% at 60°C, rated voltage, and continuously run in a free air state)
- Motor Protection System Current blocking function and Reverse polarity protection
- Dielectric Strength 50/60 Hz, 500VAC, 1 minute (between lead conductor and frame)
- Sound Pressure Level (SPL) Expressed as the value at 1m from air inlet side
- Operating Temperature Range Varies for each model (Non-condensing)
- Lead Wire ⊕red ⊖black Sensor: yellow Control: brown
- Mass 55g

Notice

- The products shown in the catalog are subject to Japanese Export Control Law. Diversion contrary to the law of exporting country is prohibited.
- To protect against electrolytic corrosion that may occur in locations with strong electromagnetic noise, we provide fans that are unaffected by electrolytic corrosion.