

San Ace 120 CR type Counter Rotating Fan

Features

Large air flow and high static pressure

Compared to the two serial units from our conventional product*.

Maximum airflow: increased by approx. 20%

Maximum static pressure: increased by approx. 40%

* Our conventional product is the DC cooling fan :
120 mm square x 38 mm thick fan "San Ace 120" SG type (9SG1212G102)

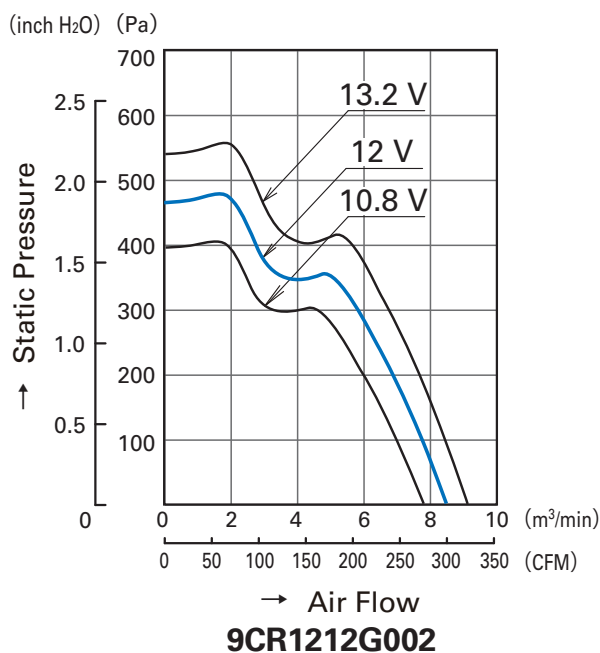


120 mm square x **76** mm thick

Specifications

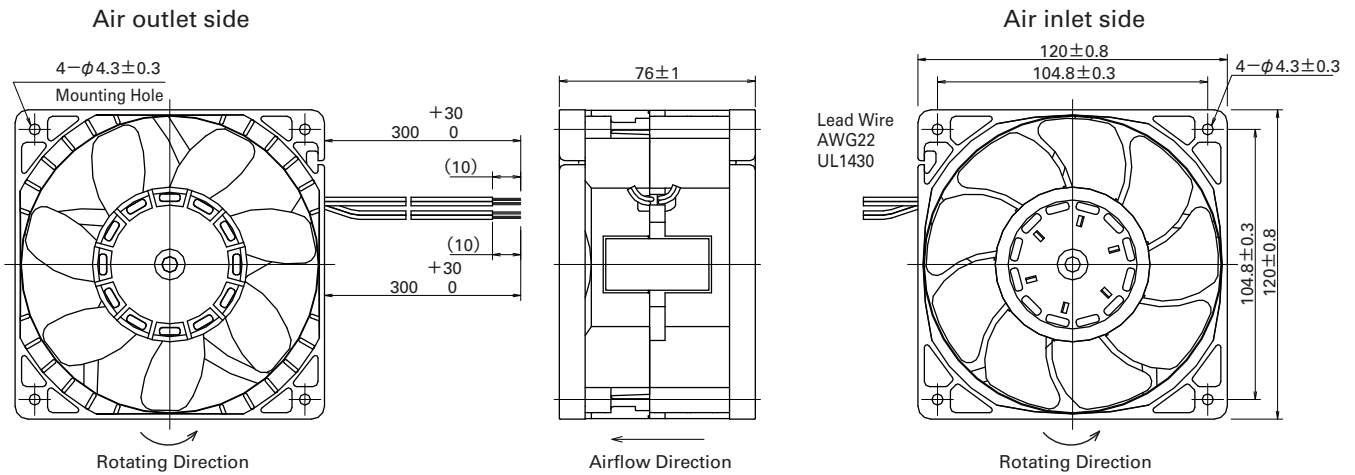
Model No.	Rated Voltage (V)	Operating Voltage Range (V)	Rated Current (A)	Rated Input (W)	Rated Speed (min ⁻¹)		Air Flow		Static Pressure		SPL (dB[A])	Operating Temperature Range (°C)	Life Expectancy (h)
					Inlet	Outlet	(m ³ /min)	(CFM)	(Pa)	(inchH ₂ O)			
9CR1212G002	12	10.8 to 13.2	7.2	86.4	6,200	3,800	8.5	300	480	1.93	70	-10 to +60	40,000

Air Flow and Static Pressure Characteristics

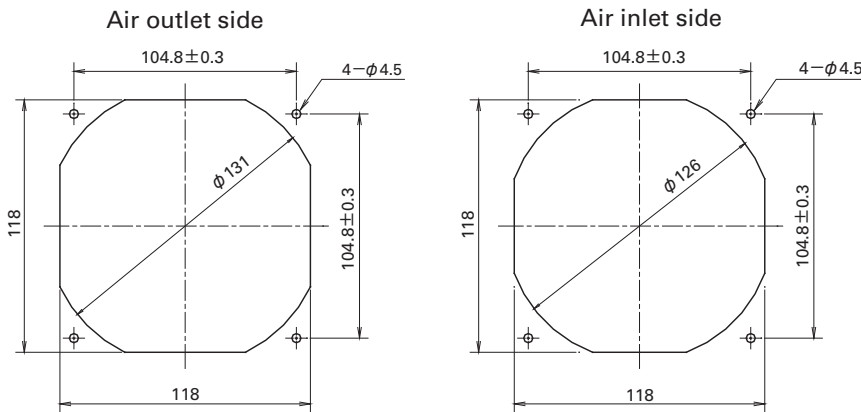


120mm

■ Dimensions (unit : mm)



■ Reference dimension of mounting holes and vent opening (unit : mm)



■ Common Specifications

- Material Frame: Plastics (Flammability: UL94V-0), Impeller: Plastics (Flammability: UL94V-1)
- Life Expectancy Varies for each model
 (L10: Survival rate: 90% at 60°C, rated voltage, and continuously run in a free air state)
- Motor Protection System Current blocking function and Reverse polarity protection
- Dielectric Strength 50/60 Hz, 500VAC, 1 minute (between lead conductor and frame)
- Sound Pressure Level (SPL) Expressed as the value at 1m from air inlet side
- Operating Temperature Range Varies for each model (Non-condensing)
- Lead Wire Inlet \oplus red \ominus black
 Outlet \oplus orange \ominus gray
- Mass 670g

120mm

Notice

- The products shown in the catalog are subject to Japanese Export Control Law. Diversion contrary to the law of exporting country is prohibited.
- To protect against electrolytic corrosion that may occur in locations with strong electromagnetic noise, we provide fans that are unaffected by electrolytic corrosion.

SANYO DENKI CO., LTD. 1-15-1, Kita-otsuka, Toshima-ku, Tokyo 170-8451, Japan. PHONE :+ 81 3 3917 5151 Home Page: <http://www.sanyodenki.co.jp>