

NEW PRODUCTS

High Performance AC Servo Amplifier

SANMOTION

AC SERVO SYSTEMS

R

ADVANCED MODEL

EtherCAT Interface Model

Available in Nov. 2009

EtherCAT®



- EtherCAT communication interface, 100Mbps high speed fieldbus system
- 50% shorter settling time at positioning*
- Advanced safety function can stop motor current safely
Safety system is more easily installed on the equipments

*Compared with our conventional product

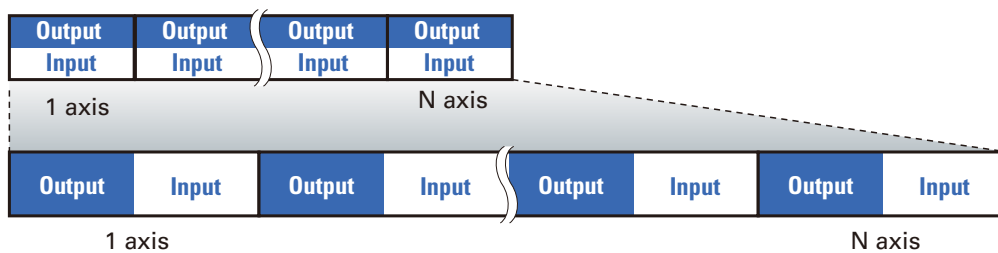
SANYO DENKI

SANMOTION R ADVANCED MODEL Servo Amplifier with EtherCAT Interface

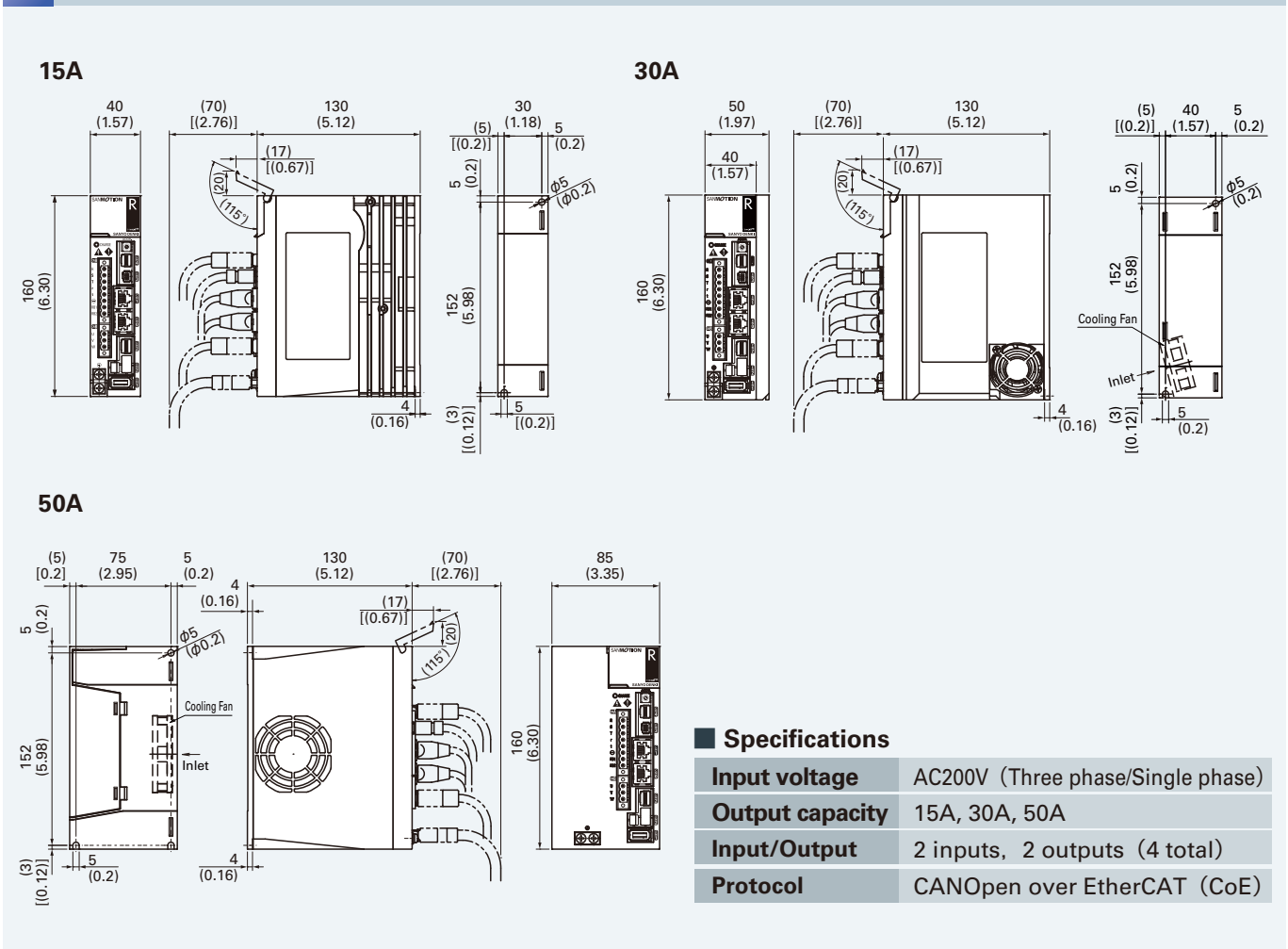
EtherCAT, high speed serial interface

- 100Mbps high-speed industrial network system helps for faster motion control.
- Compatibility with common network Ethernet can realize a system with other Ethernet-based devices.
- No special communication I/F card required for controller side, just standard Ethernet I/F works.
- Both input and output data can be placed same area in data frame, that can reduce 50% the communication cycle time.

Communication frame image



Dimensions [Unit : mm (inch)]



Specifications

| | |
|------------------------|-----------------------------------|
| Input voltage | AC200V (Three phase/Single phase) |
| Output capacity | 15A, 30A, 50A |
| Input/Output | 2 inputs, 2 outputs (4 total) |
| Protocol | CANOpen over EtherCAT (CoE) |