

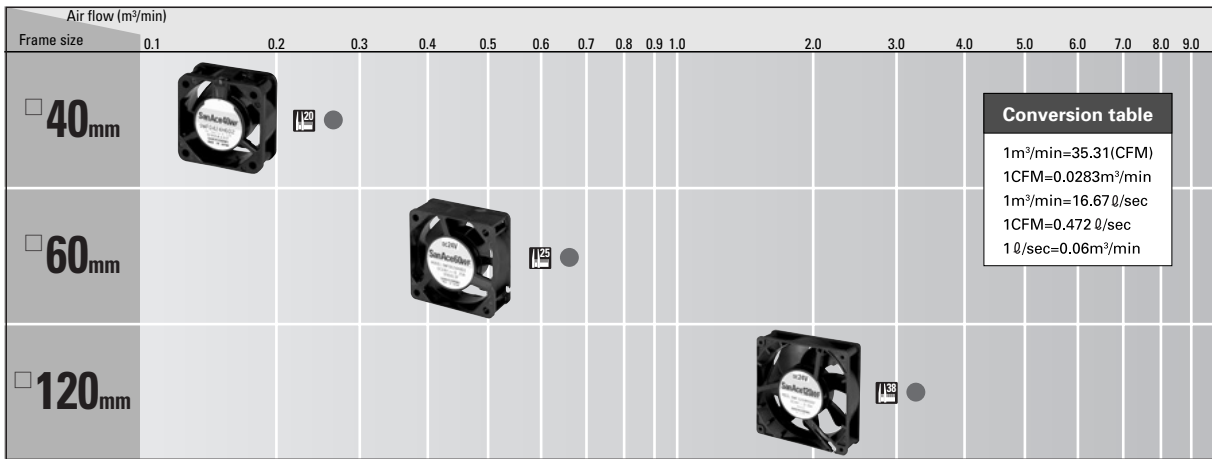
COOLING SYSTEMS

DC FAN

Oil Proof Fans

Oil Proof Fans

Domain diagram



40mm

60mm

120mm

Oil Proof Fan

□ **40mm**
San Ace 40WF



Oil Proof Fans

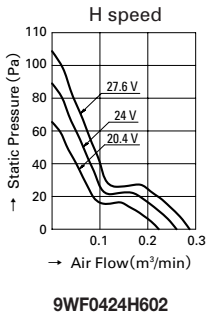
General specifications The product can be used in an oil mist environment*

- MaterialFrame, impeller : Plastics
- Life ExpectancyVaries for each model (Survival rate: 90% at 60°C, rated voltage, and continuously run in a free air state)
- Motor Protection SystemCurrent blocking function (with reverse polarity protection)
- Dielectric Strength50/60 Hz, 500VAC, 1 minute (between lead conductor and frame)
- Noise Measurement MethodMeasured at 1m from the air inlet
- Operating Temperature RangeVaries for each model (Non-condensing)
- Lead Wire⊕red, ⊖black
- Mass50g

20mm thick Specifications

Model No.	Rated Voltage (V)	Operating Voltage range (V)	Rated Current (A)	Rated Input (W)	Rated Speed (min ⁻¹)	Air Flow (m ³ /min) (CFM)	Static Pressure (Pa) (inchH ₂ O)	Noise (dB [A])	Operating Temperature Range (°C)	Life Expectancy (h)
9WF0424H602	24	20.4~27.6	0.11	2.64	13,100	0.26 9.2	90 0.361	42	-10 ~ +70	40,000

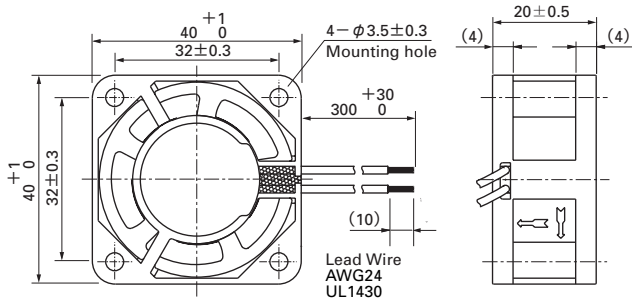
Air Flow and Static Pressure Characteristics



40mm

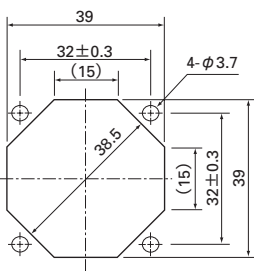
* Environment where machining oil mist is scattered.
Usage of this product requires an evaluation with the oil that will be used.

Dimensions (unit : mm)



Reference dimension of mounting holes and vent opening (unit : mm)

Air inlet side · Air outlet side



Oil Proof Fan

□ **60mm**
San Ace 60WF



Oil Proof Fans

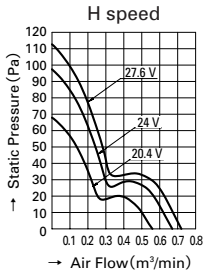
General specifications The product can be used in an oil mist environment*

- MaterialFrame, impeller : Plastics
- Life ExpectancyVaries for each model (Survival rate: 90% at 60°C, rated voltage, and continuously run in a free air state)
- Motor Protection SystemCurrent blocking function (with reverse polarity protection)
- Dielectric Strength50/60 Hz, 500VAC, 1 minute (between lead conductor and frame)
- Noise Measurement MethodMeasured at 1m from the air inlet
- Operating Temperature RangeVaries for each model (Non-condensing)
- Lead Wire⊕red, ⊖black
- Mass110g

25mm thick Specifications

Model No.	Rated Voltage (V)	Operating Voltage range (V)	Rated Current (A)	Rated Input (W)	Rated Speed (min ⁻¹)	Air Flow (m ³ /min) (CFM)	Static Pressure (Pa) (inchH ₂ O)	Noise (dB [A])	Operating Temperature Range (°C)	Life Expectancy (h)
9WF0624H402	24	20.4~27.6	15	3.6	6,500	0.67 23.6	97 0.390	41	-10 ~ +70	40,000

Air Flow and Static Pressure Characteristics

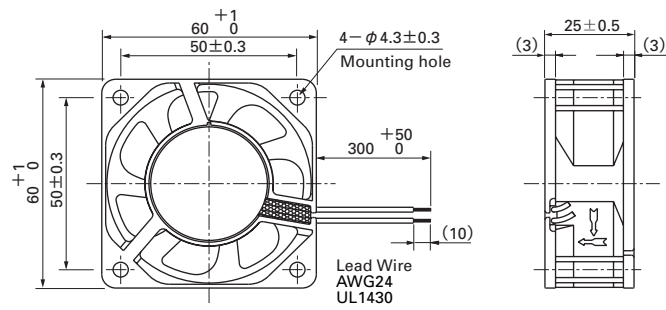


9WF0624H402

60mm

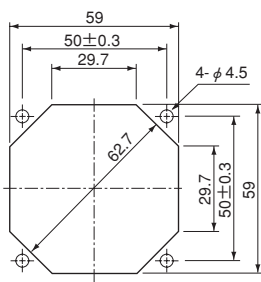
* Environment where machining oil mist is scattered.
Usage of this product requires an evaluation with the oil that will be used.

Dimensions (unit : mm)



Reference dimension of mounting holes and vent opening (unit : mm)

Air inlet side · Air outlet side



Oil Proof Fan □ 120mm

San Ace 120WF



Oil Proof Fans

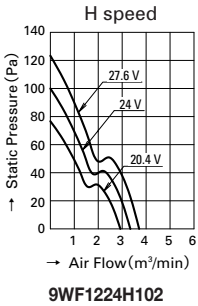
General specifications The product can be used in an oil mist environment*

- Material ······Frame, impeller : Plastics
- Life Expectancy ······Varies for each model (Survival rate: 90% at 60°C, rated voltage, and continuously run in a free air state)
- Motor Protection System ····Current blocking function (with reverse polarity protection)
- Dielectric Strength ······50/60 Hz, 500VAC, 1 minute (between lead conductor and frame)
- Noise Measurement Method ···Measured at 1m from the air inlet
- Operating Temperature Range ····Varies for each model (Non-condensing)
- Lead Wire ········⊕red, ⊖black
- Mass ··········355g

38mm thick Specifications

Model No.	Rated Voltage (V)	Operating Voltage range (V)	Rated Current (A)	Rated Input (W)	Rated Speed (min ⁻¹)	Air Flow (m ³ /min) (CFM)	Static Pressure (Pa) (inchH ₂ O)	Noise (dB [A])	Operating Temperature Range (°C)	Life Expectancy (h)
9WF1224H102	24	20.4~27.6	0.32	7.68	3,100	3.34 118	100 0.402	46	-10 ~ +70	40,000

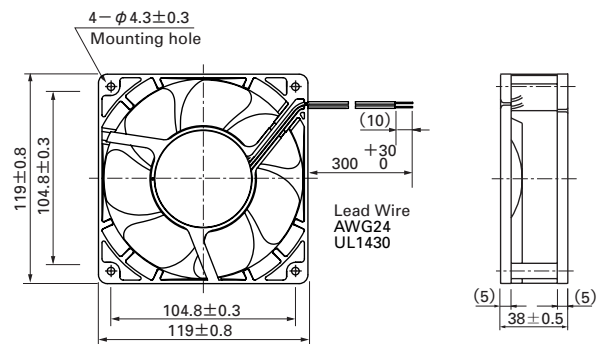
Air Flow and Static Pressure Characteristics



* Environment where machining oil mist is scattered.
Usage of this product requires an evaluation with the oil that will be used.

120mm

Dimensions (unit : mm)



Reference dimension of mounting holes and vent opening (unit : mm)

